



**BERKELEY
COUNTY SC**

RICH HISTORY.
BRIGHT FUTURE.
One Berkeley

**BERKELEY COUNTY
BUILDING AND CODE ENFORCEMENT**

Henry Jackson
Chief Building Official

1/1/2020

**Guidelines for Residential Pole Building Construction 1200 sq. ft. or
less, that maintain a 7/12 roof pitch or less
and 10 ft. wall height or less**

Building Details

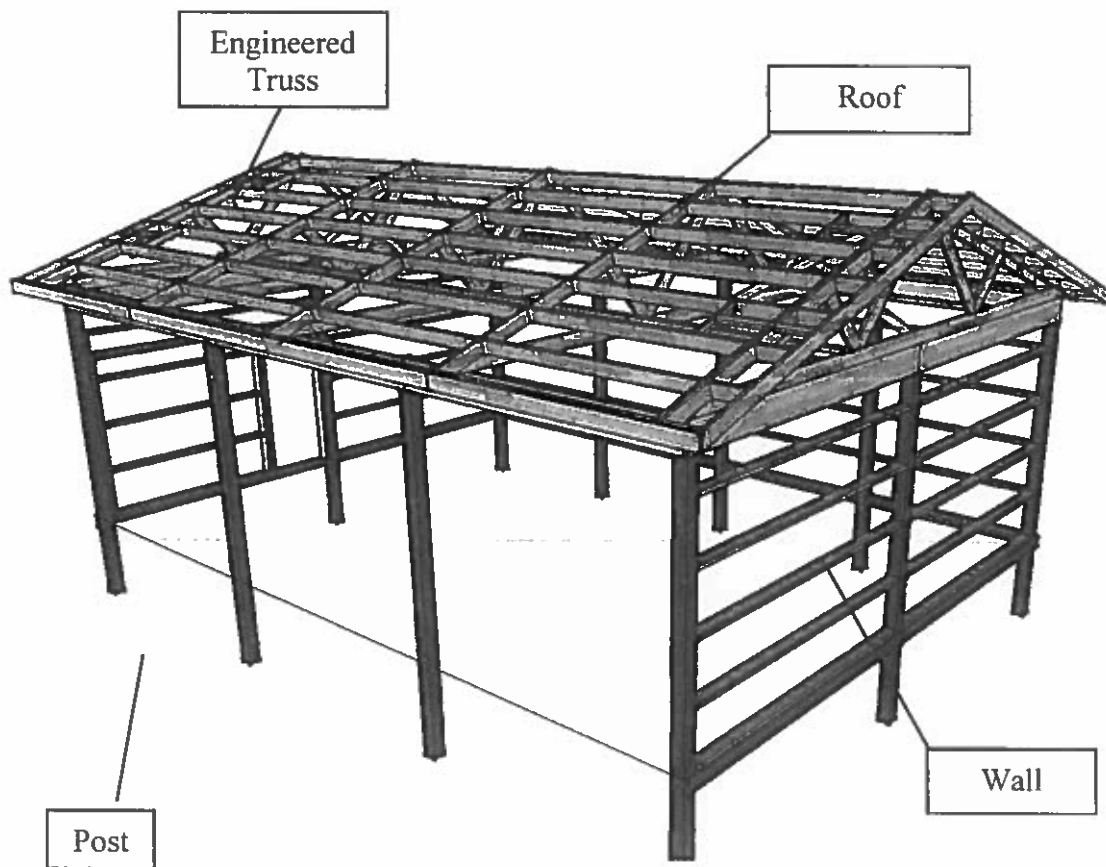
Length: _____ Width: _____ Square footage: _____

Wall Height: _____ Roof Pitch: _____

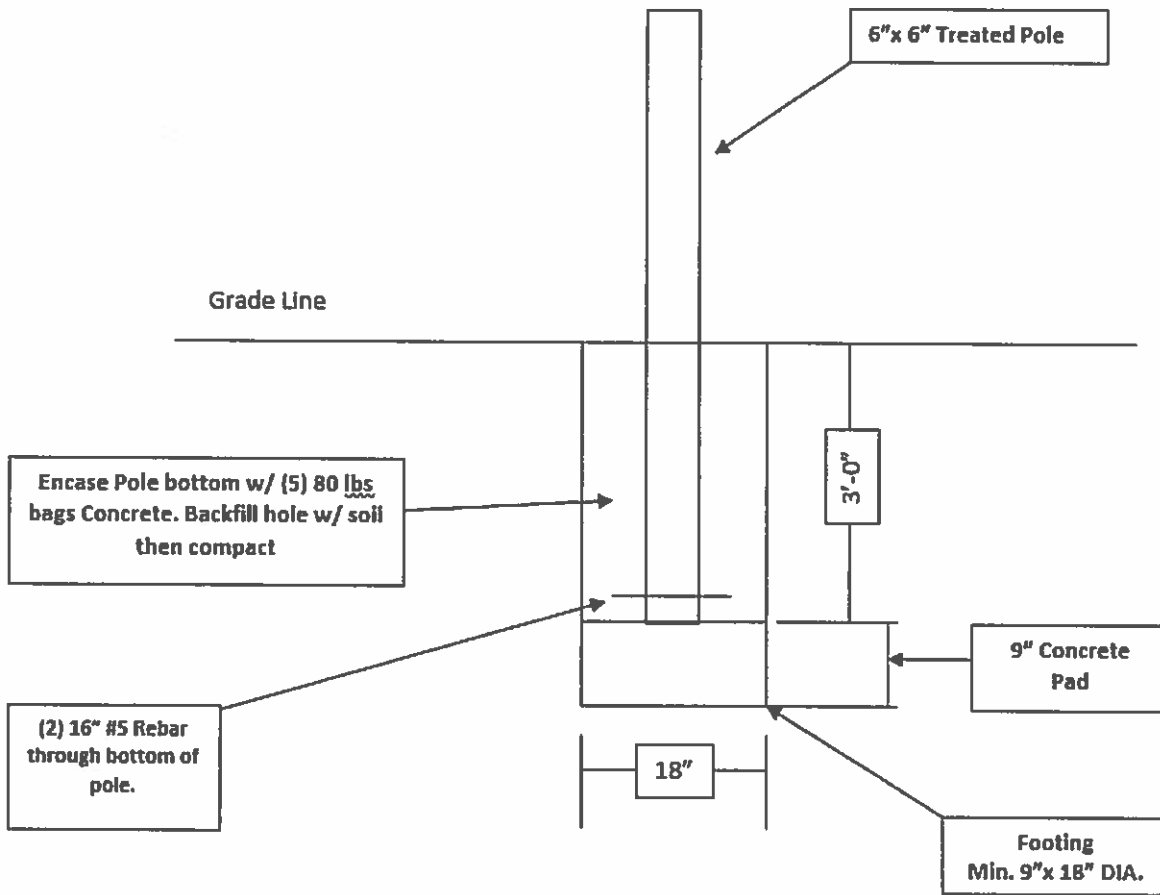
**** Pole Barn 1201 sq. ft. or greater, roof pitch great than 7/12 or a wall height over 10 feet are required to be designed by an S.C. license design professional ****

Inspections needed

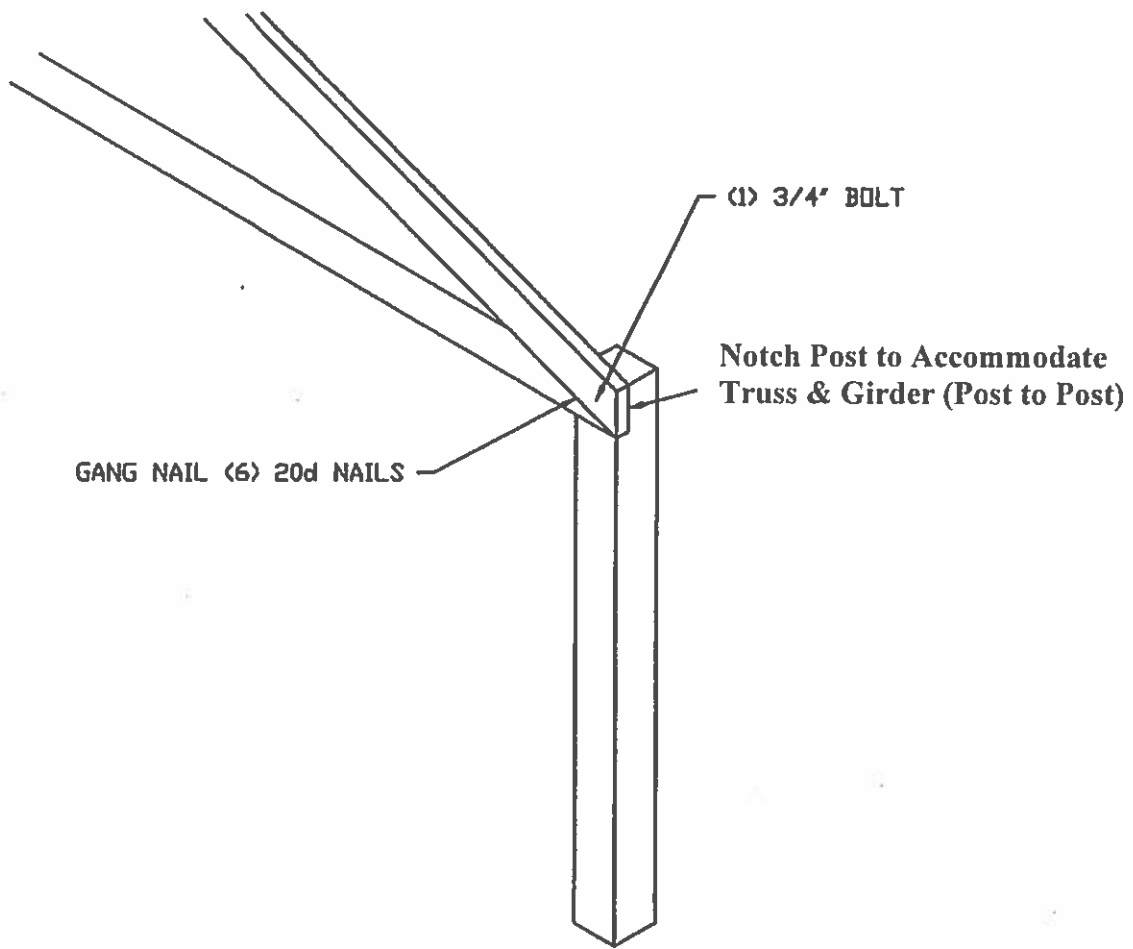
- 1) Post Bore hole inspection/ footer
- 2) Setbacks
- 3) Slab (if structure has a concrete floor)
- 4) Roof framing
- 5) Final



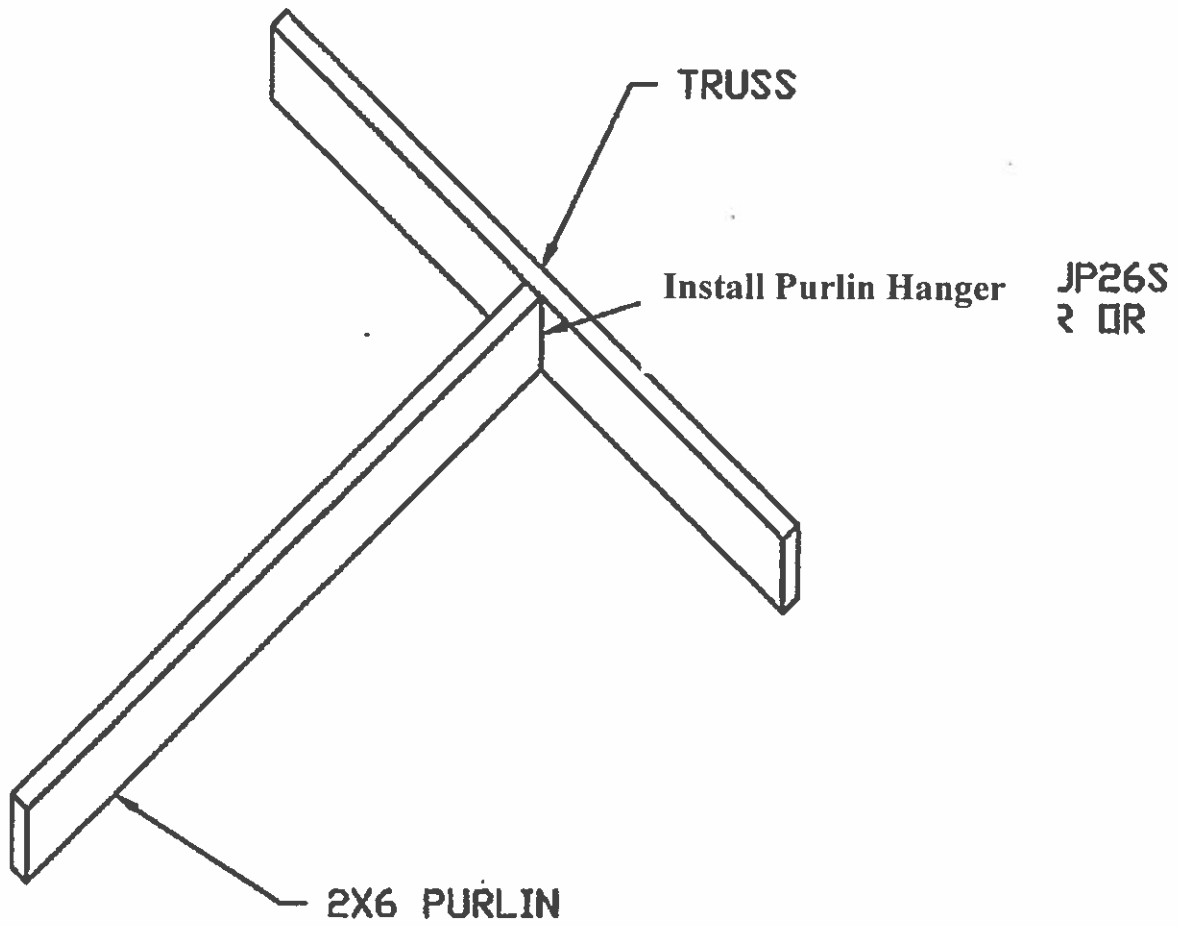
Post Footing Detail



Truss to Pole Connection



Roof Purlin Hanger



2x6 Roof Purlins 24" O.C. with Hanger
****Max span 10 ft.****

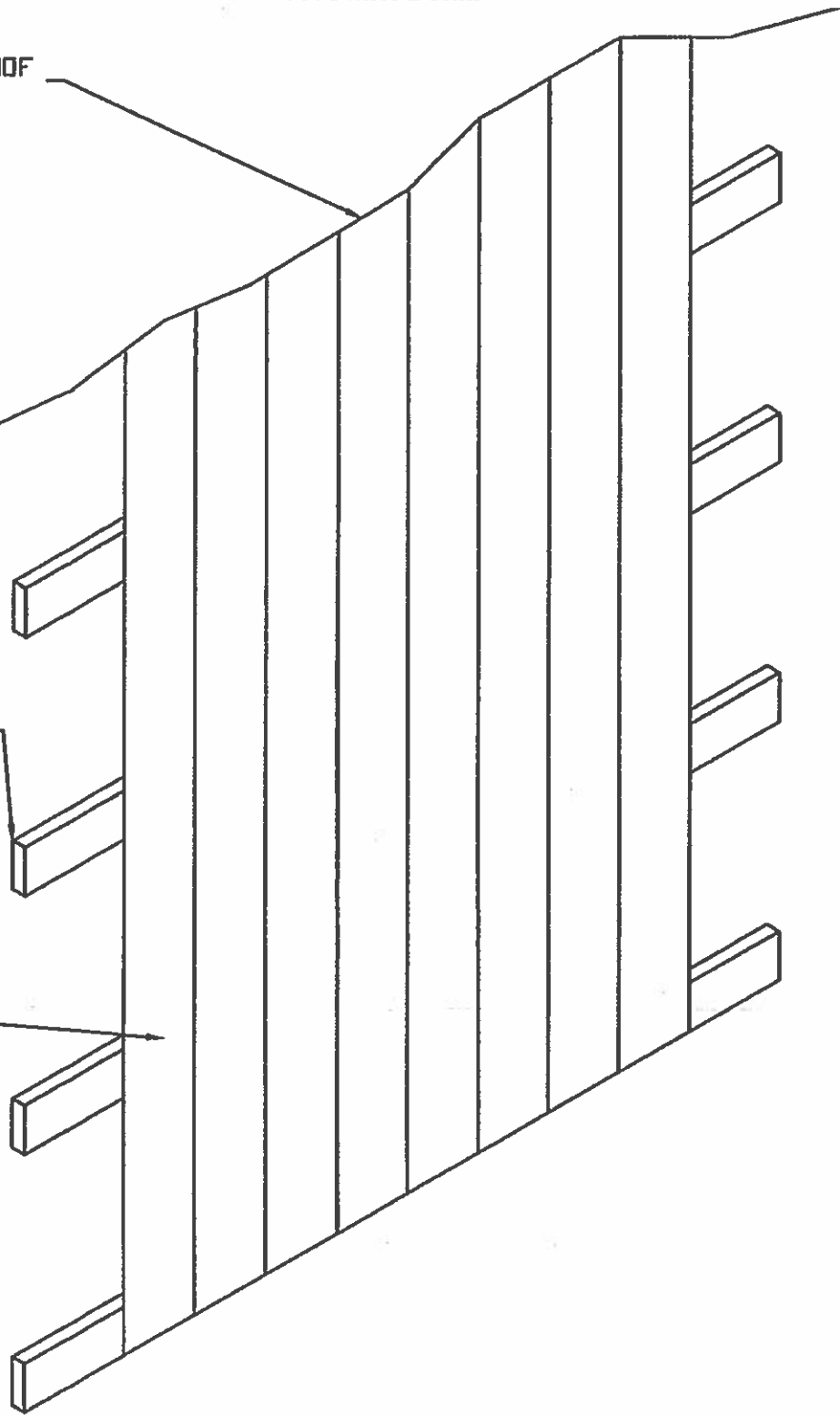
Wall or Roof Panel Detail

WALL OR ROOF
PANEL

GIRT OR PURLIN

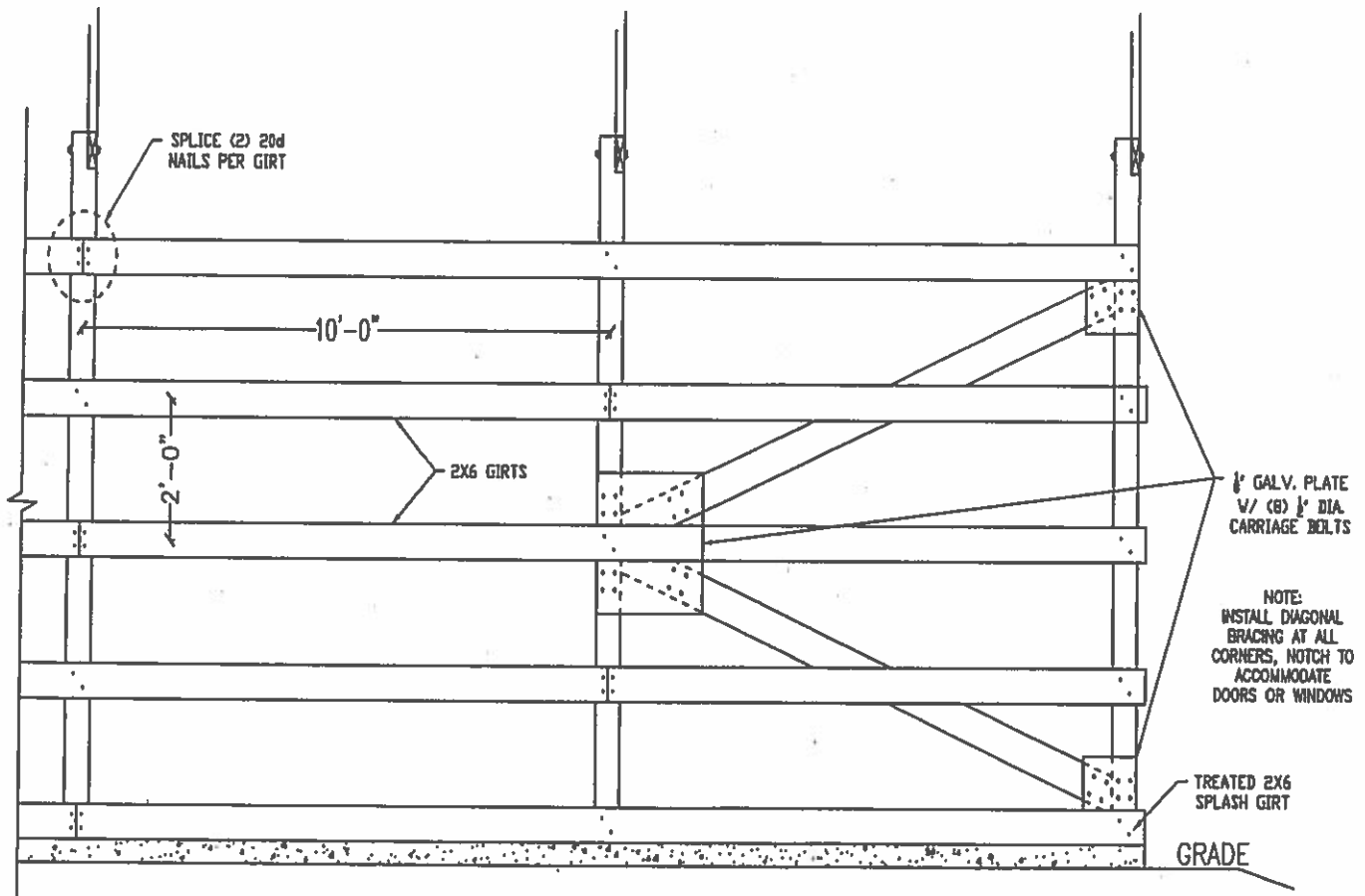
10d nail or
screws 9" O.C.

0d NAIL
1" OC



2x6 Wall Girts 24" O.C. w/ (2) 20 d nails per Girt

Wall Bracing



****Diagonal bracing at all corners****

Door Framing

(2) ¾ Bolts
Top and
Bottom
(6) 20d
Nails
Both sides
of opening

¾" BOLT &
20d NAILS
10TH SIDES

